

Vial Adapter Having A Needle-Free Valve For Use With Vial Closures of Different Sizes

Inventor(s): Leinsing

Application No.: 10/072,052

Docket No.: 56914

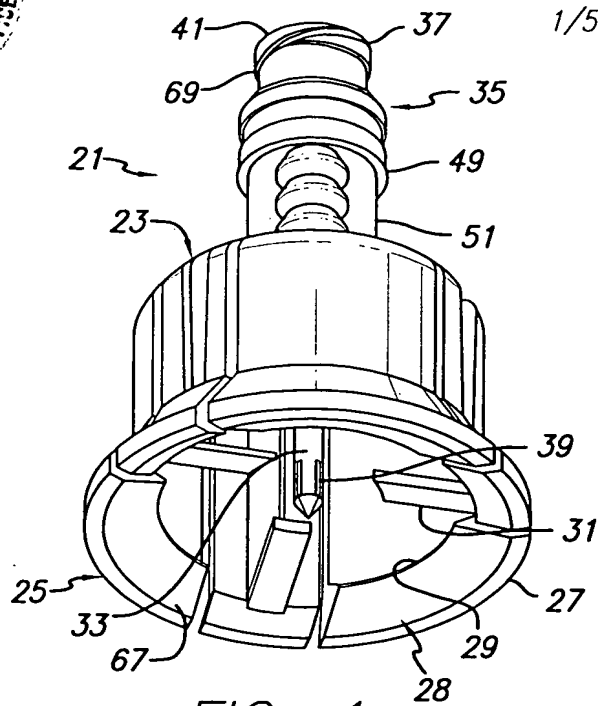


FIG. 1

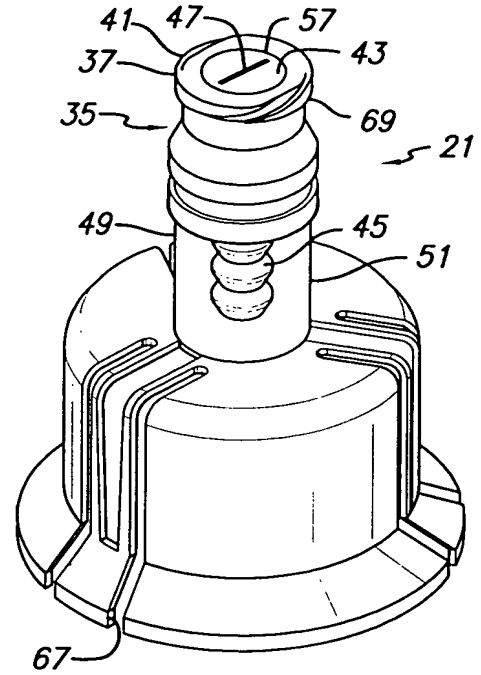


FIG. 2

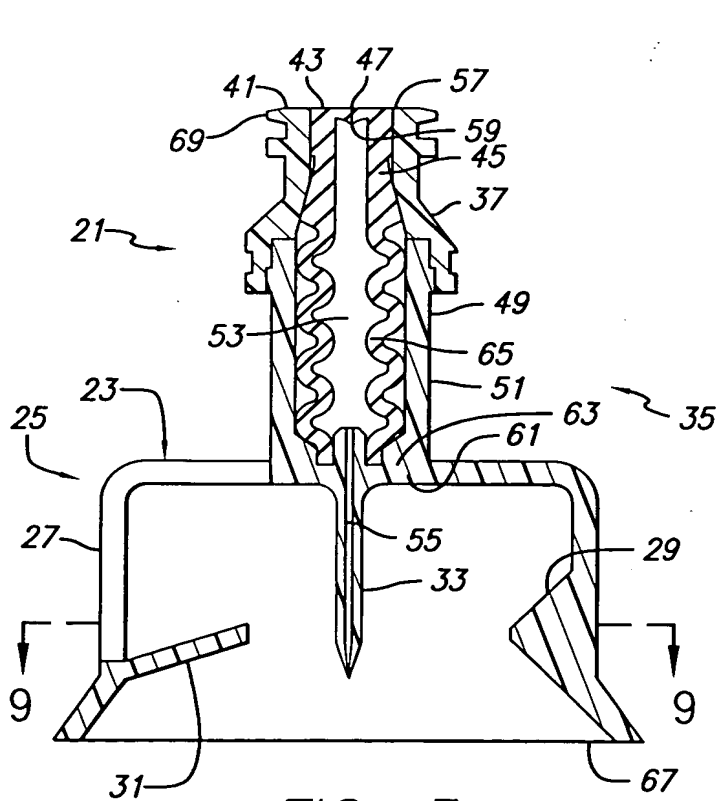


FIG. 3

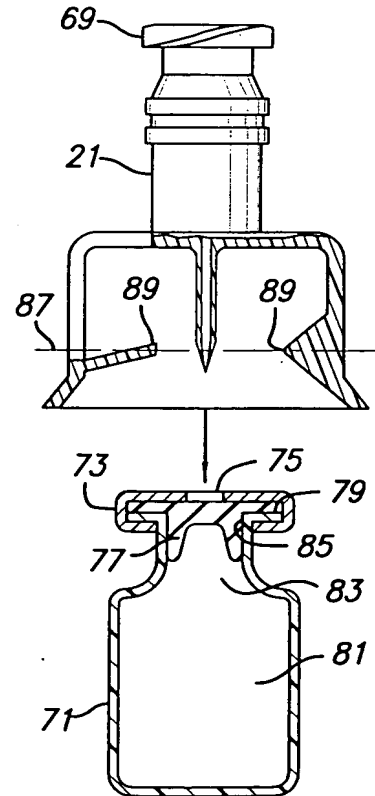


FIG. 4

Vial Adapter Having A Needle-Free Valve For Use With Vial Closures
of Different Sizes

Inventor(s): Leinsing
Application No.: 10/072,052
Docket No.: 56914

2/5

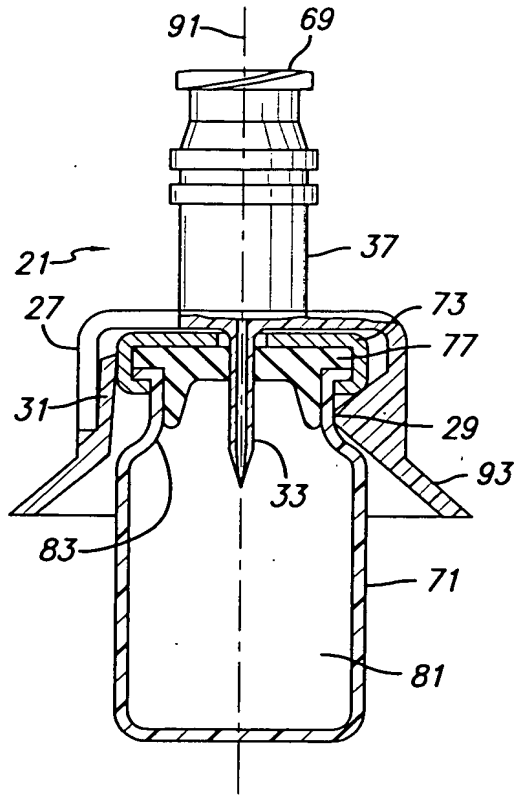


FIG. 5

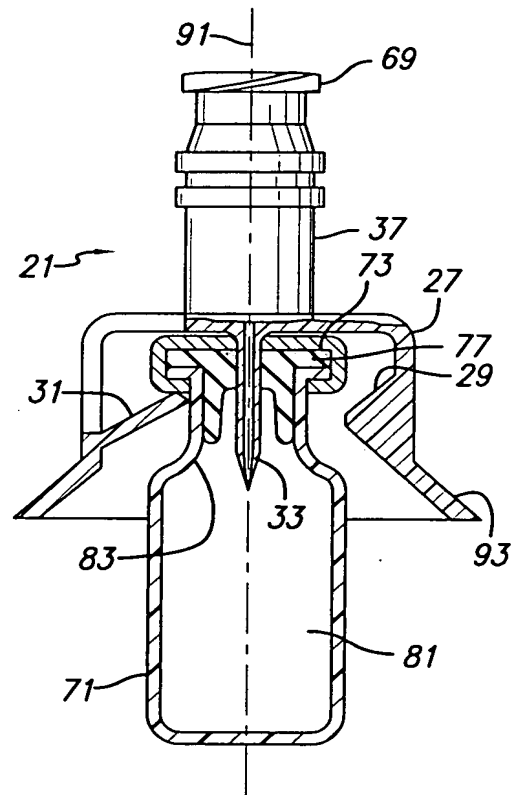


FIG. 6

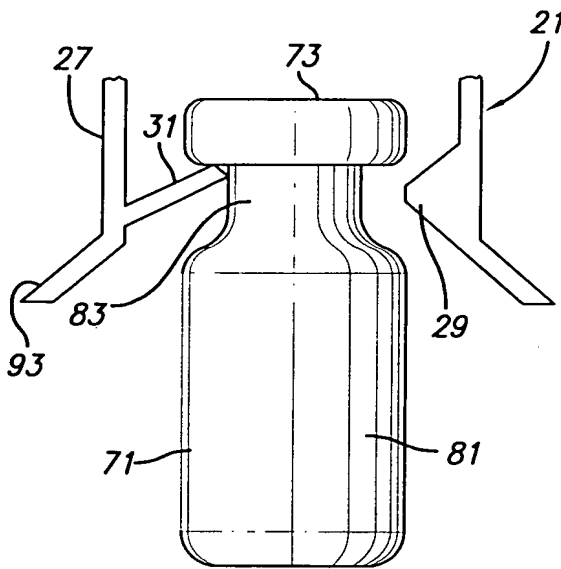


FIG. 7

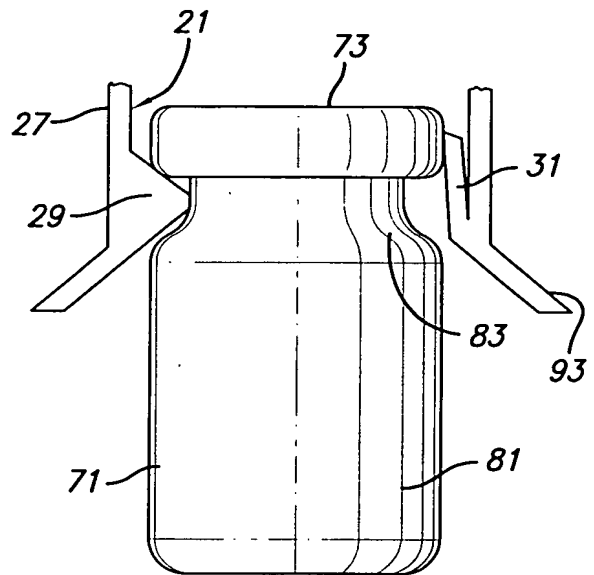


FIG. 8

Vial Adapter Having A Needle-Free Valve For Use With Vial Closures of Different Sizes

Inventor(s): Leinsing
Application No.: 10/072,052
Docket No.: 56914

3/5



FIG. 9

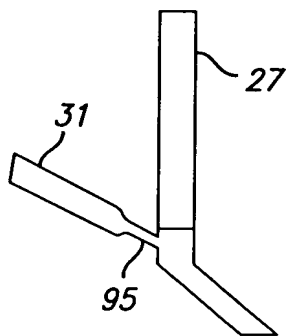
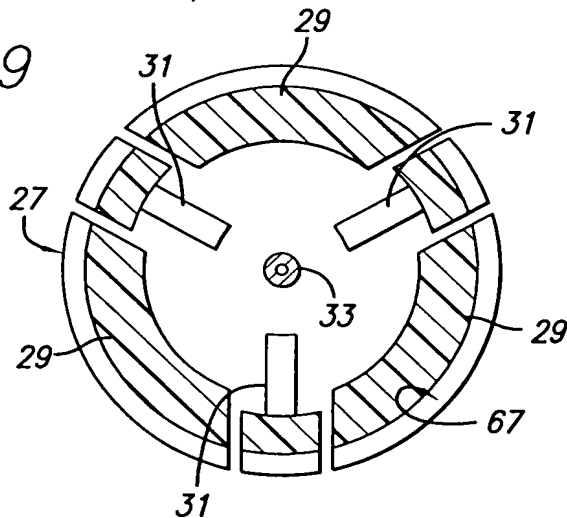


FIG. 10

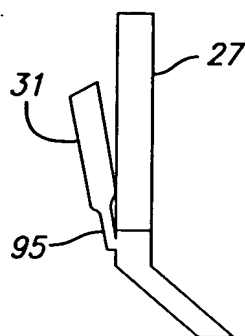


FIG. 11

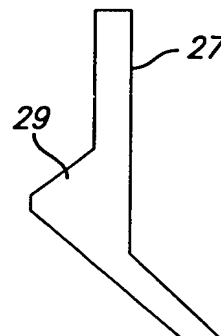


FIG. 12

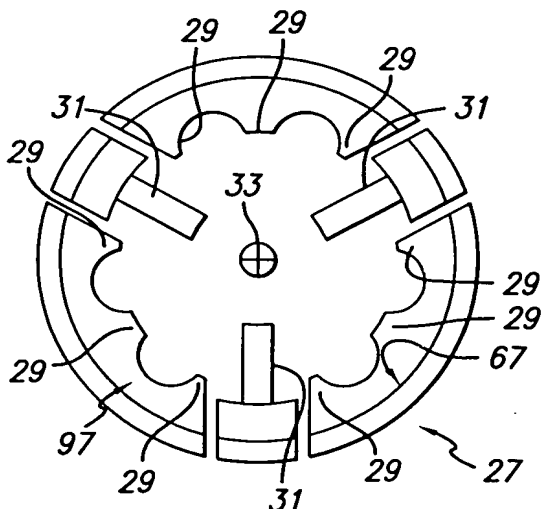


FIG. 13

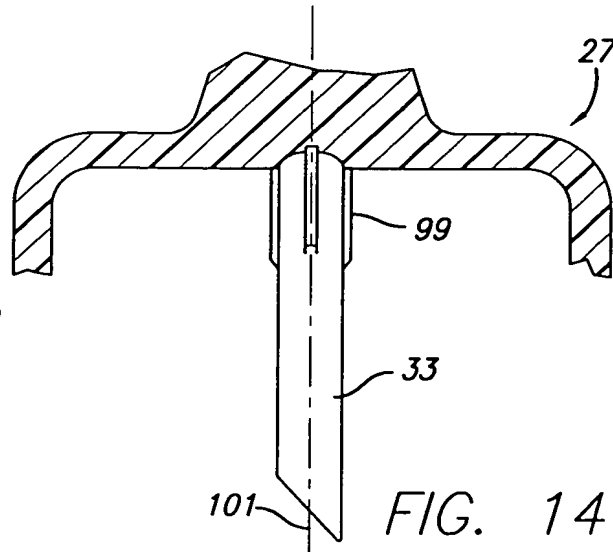


FIG. 14

Vial Adapter Having A Needle-Free Valve For Use With Vial Closures
of Different Sizes

Inventor(s): Leinsing
Application No.: 10/072,052
Docket No.: 56914

4/5

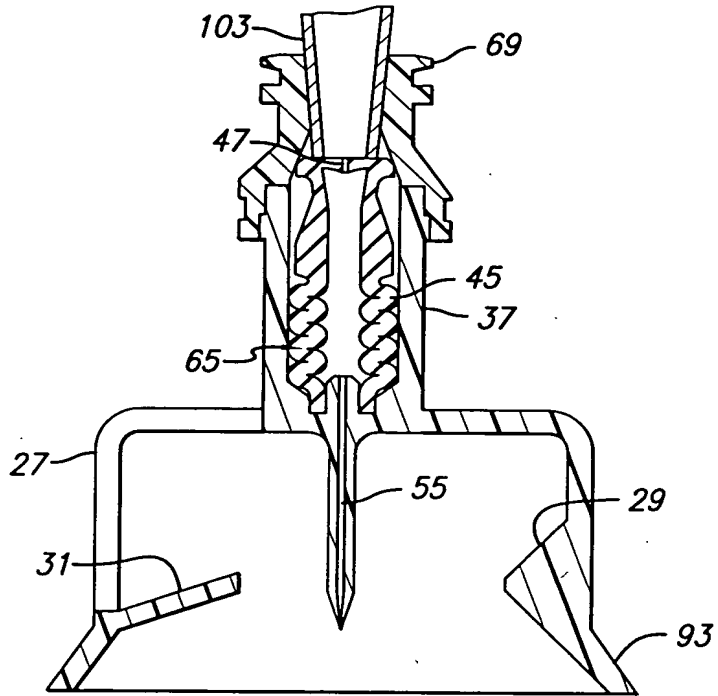


FIG. 15

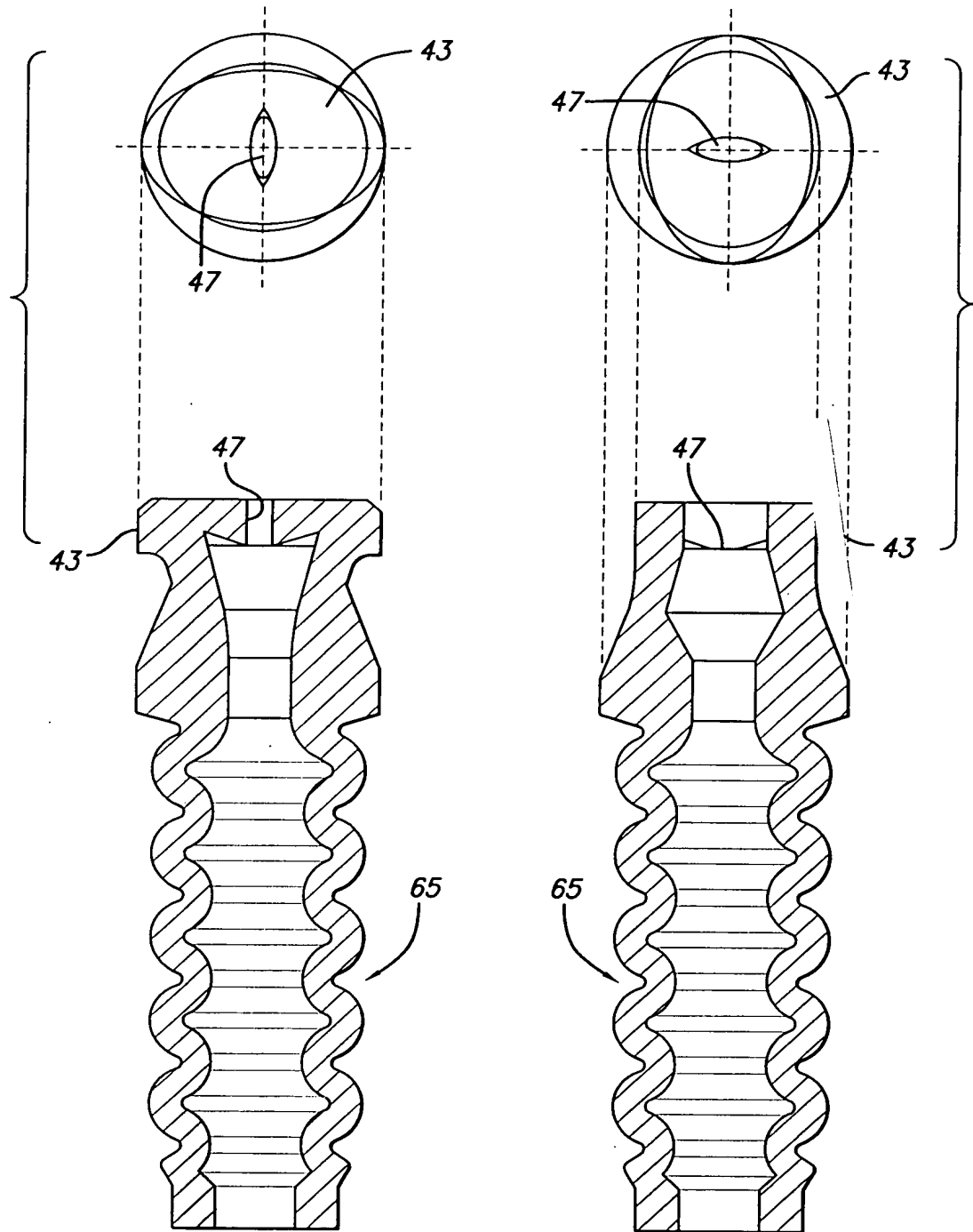


FIG. 16

FIG. 17